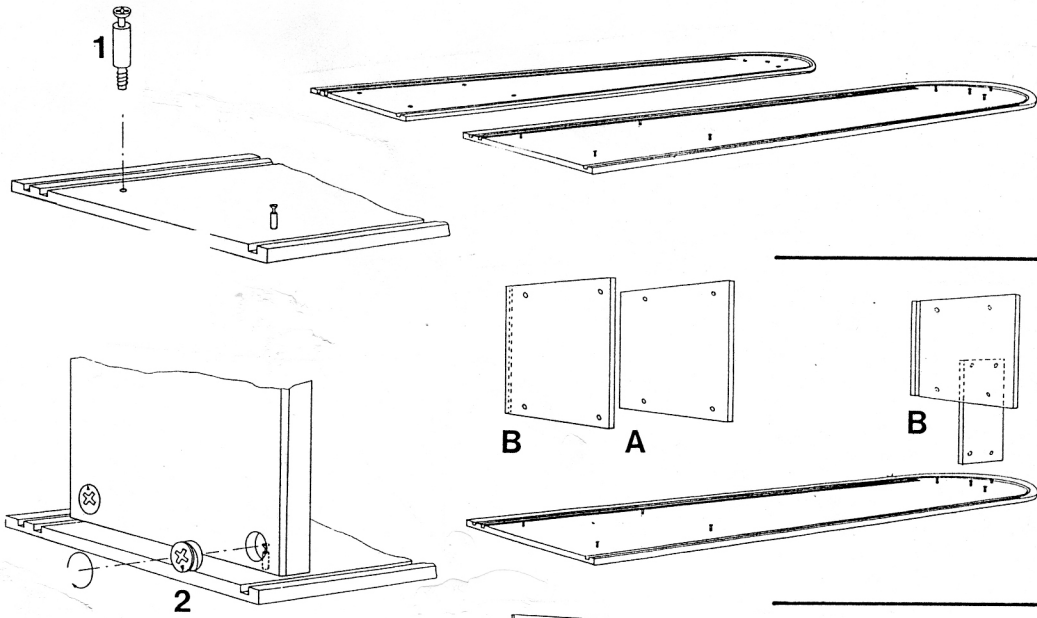


PASTOE, ROTSOORD 3,
 POSTBUS 2152,
 3500 GD UTRECHT,
 HOLLAND.
 TEL. (0)30 - 51 21 41.

Handelingen & productie proces

- Magazijn half-fabrikaten
- Interne transport
- Schuren
- Lijmen
- Spuiten
- Monteren
- Inpakken
- Wegwezen



BUILDING INSTRUCTION A'DAMMER UNITS

- Put the sides carefully on a soft surface with the inside up.
- Put the screws no. 1. in the bigger holes of both sides.
- Shelves B can now be placed on top and bottom; the small unlacquered shelf on top of the topshelf, and only for higher units place shelf A between top and bottom where you will find bigger holes. Fix shelves with connection-item no. 2. and cover the item with the cap.
- Now place the backpanel into the groove.
- After putting a little vaseline into the groove, you can shove the side into the groove.
- To complete the unit you must place the plinth to the bottom with connection item no. 3.
- Now put the hardware no. 4. for the adjustable shelves no. C into the smaller holes and then shove the shelf over the hardware into the unit.

Good luck

