

# TRACK

design Joost van der Vecht

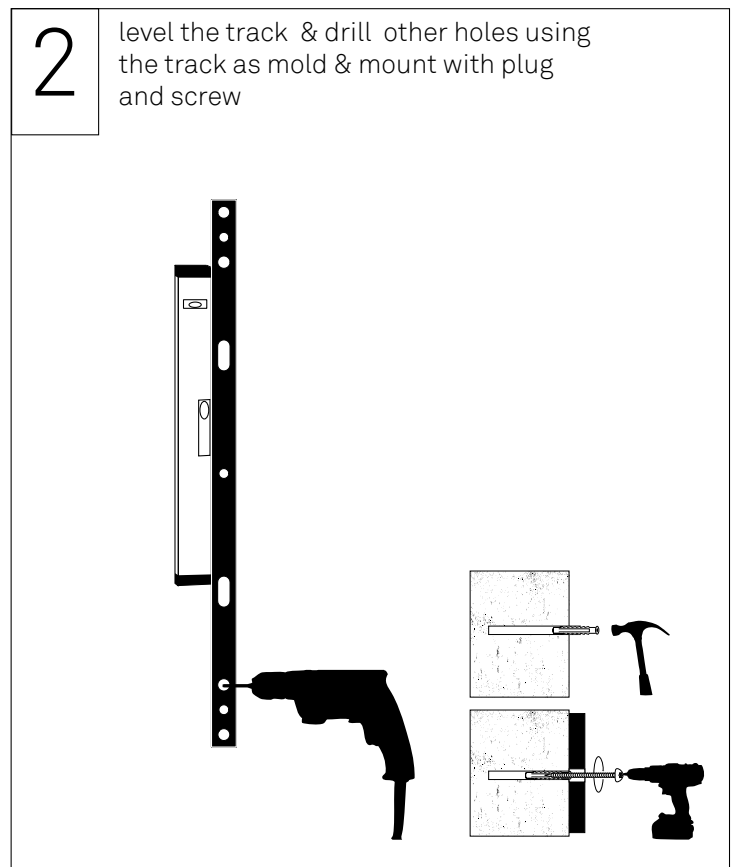
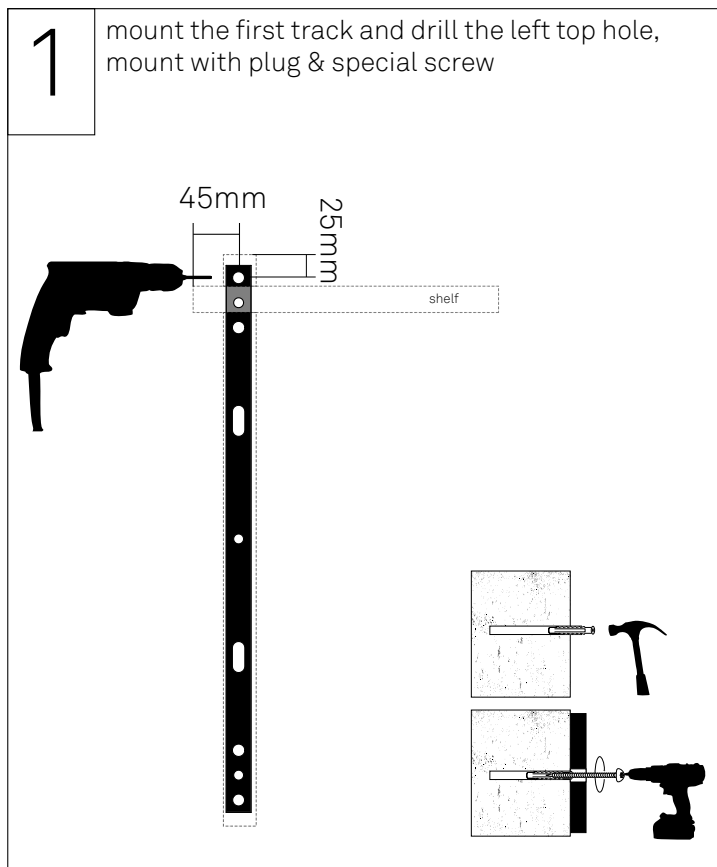
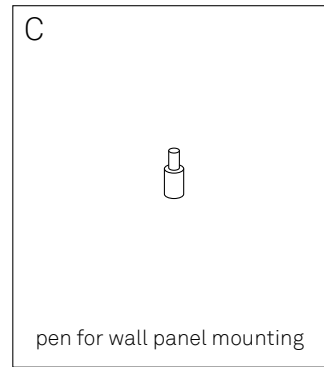
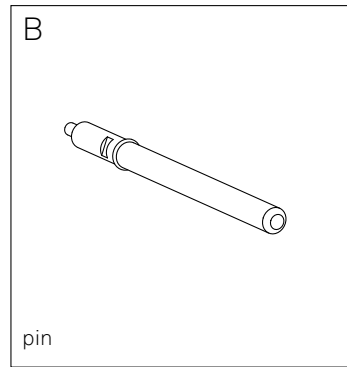
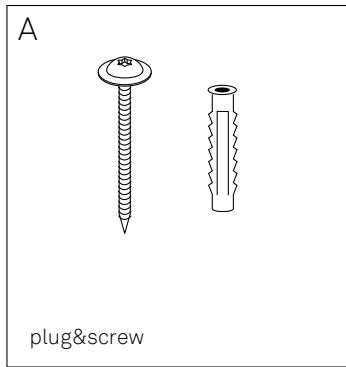


**pastoe**

pastoe  
sleepboot 4  
3991cn houten  
the netherlands  
[www.pastoe.com](http://www.pastoe.com)

# Assembly instructions

## Components



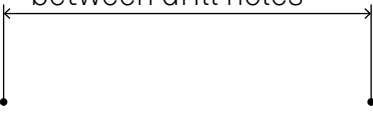
**pastoe**

pastoe  
sleepboot 4  
3991cn houten  
the netherlands  
[www.pastoe.com](http://www.pastoe.com)

# Assembly instructions

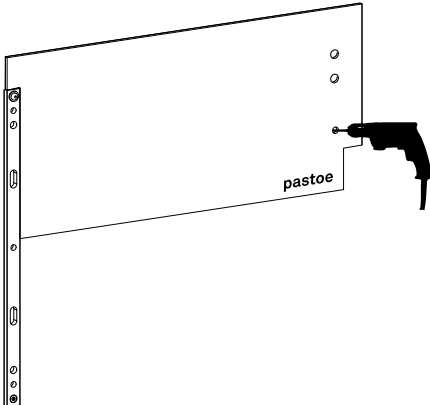
**3** mount the next track and drill next hole

center distance 50cm  
between drill holes



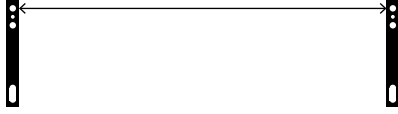

---

or drill hole using the mould



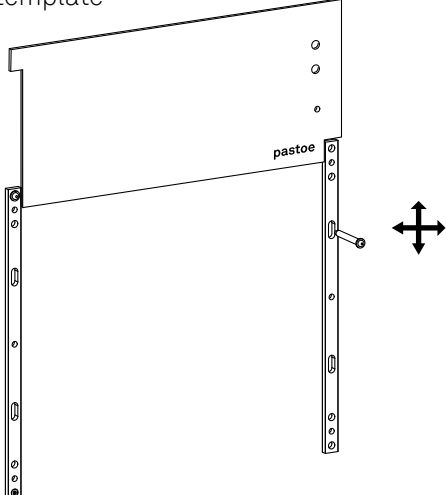
**4** check distance between metal tracks

distance 48cm  
between metal tracks

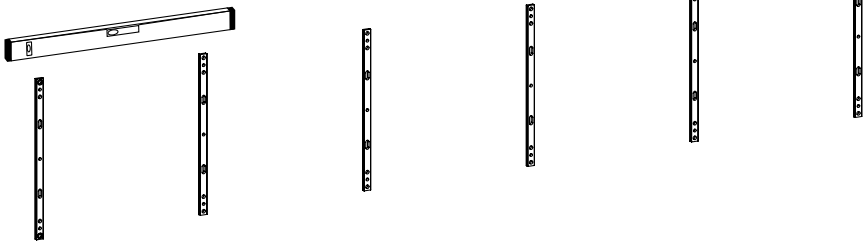



---

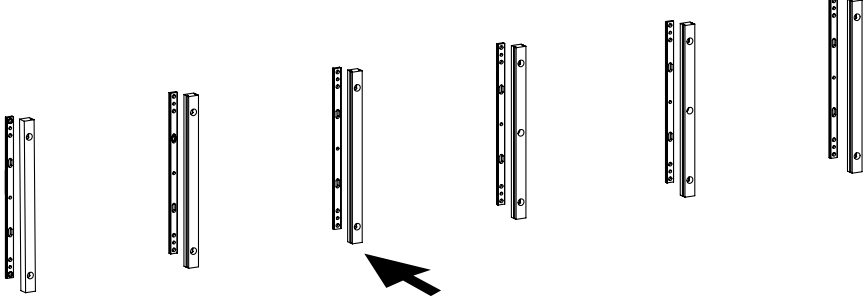
or use the drill template



**5** position all tracks make sure the tracks are levelled



**6** place solid oak covers; starting with no. 1, see sticker on the back of the wooden Track



TRACK 1

no. 1

left → right

9th

8th

7th

6th

5th

4th

3rd

2nd

bottom

order no.

pastoe

TRACK 2

no. 2

left → right

9th

8th

7th

6th

5th

4th

3rd

2nd

bottom

order no.

pastoe

TRACK 3

no. 3

left → right

9th

8th

7th

6th

5th

4th

3rd

2nd

bottom

order no.

pastoe

etc.

left → right

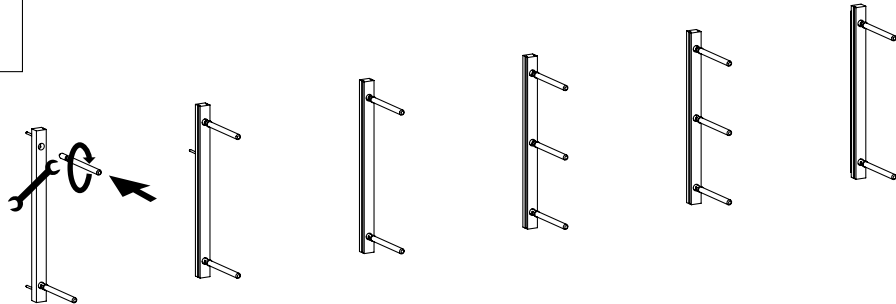
**pastoe**

pastoe  
sleepboot 4  
3991cn houten  
the netherlands  
www.pastoe.com

# Assembly instructions

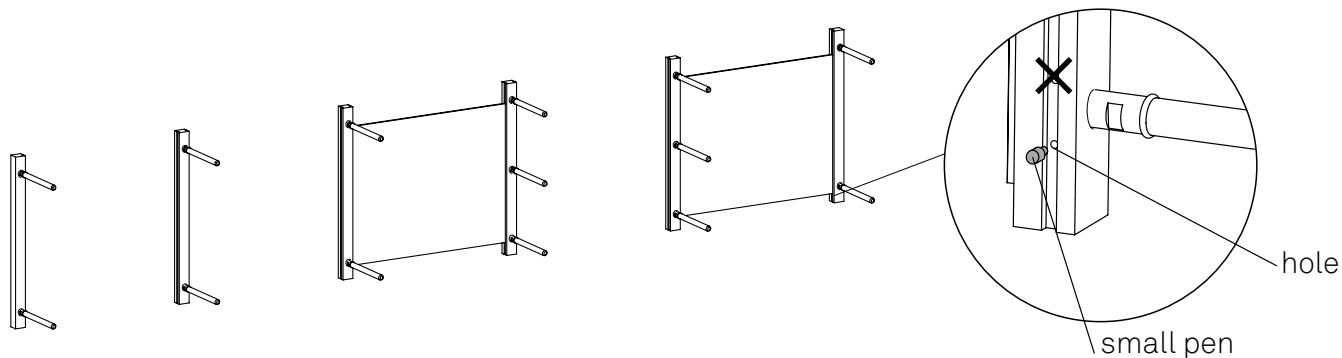
7

screw pins in the holes using a wrench size 10



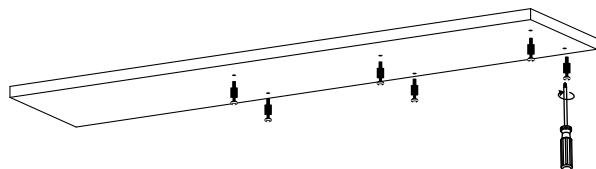
8

place back panel using the small pen in the hole on the bottom side of the pin



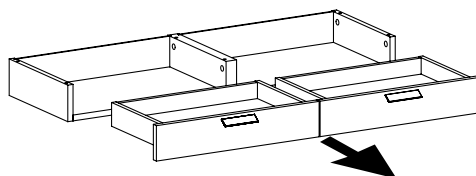
9a

place cabinets if not yet mounted  
mount pins in the shelf in the pre-drilled holes



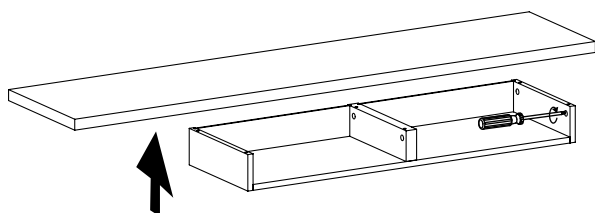
9b

remove drawers



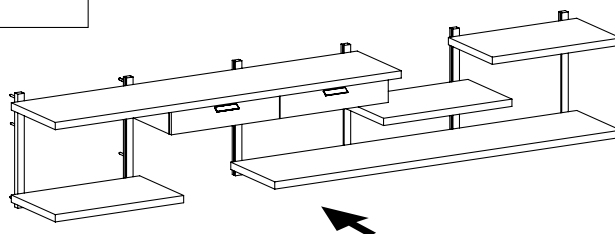
9c

place over the pins and turn the screws



10

place lace shelves by pushing them over the pins



**pastoe**

pastoe  
sleepboot 4  
3991cn houten  
the netherlands  
www.pastoe.com